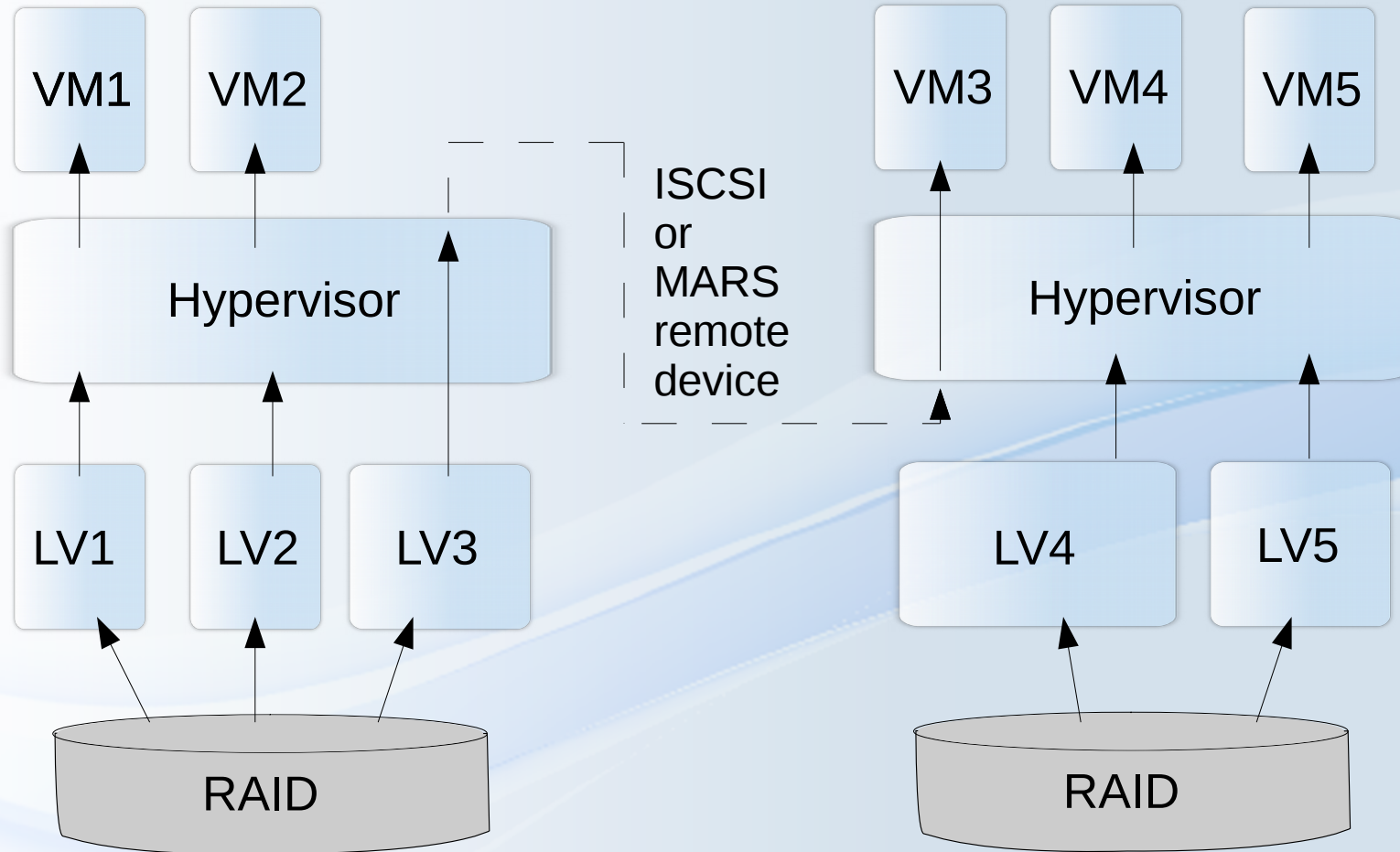


Flexible MARS Sharding + Cluster-on-Demand



any hypervisor works in client and/or server role
and preferably **locally** at the same time